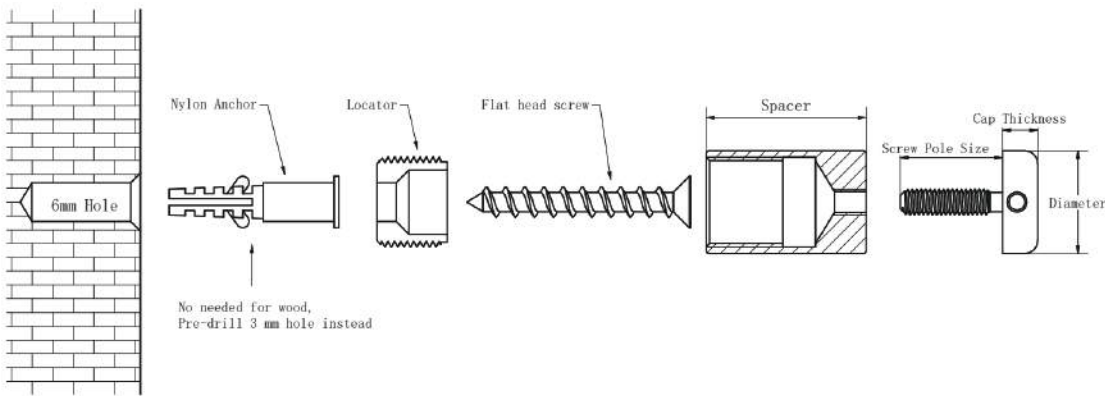


CR Series- Brass Flat Top Sign Standoffs with Locator



Installation Instruction & Size Details

Finish : CP, SS, BG



Item No.	Diameter	Cap Thickness	Spacer	Pole Size	Locator Size	Bottom Hole Size	Max Panel Thickness
CR-1614	16mm	5.5mm	14mm	Dia.4mmxL8.5mm	Dia14mmL10mm	6mm	3mm
CR-1625	16mm	5.5mm	25mm	Dia.4mmxL16mm	Dia14mmL10mm	6mm	7mm
CR-2525	25mm	5.5mm	25mm	Dia.8mmxL20mm	Dia14mmL10mm	6mm	12mm
CR-2550	25mm	5.5mm	50mm	Dia.8mmxL20mm	Dia14mmL10mm	6mm	12mm

