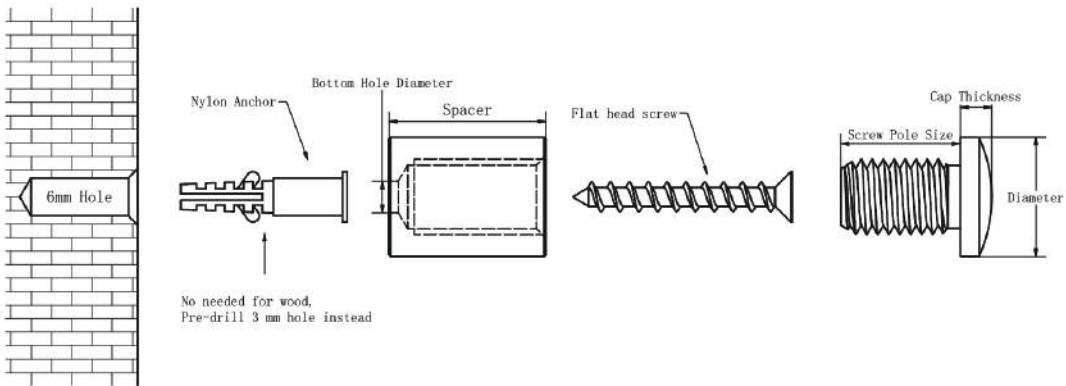


# Dome Top Sign Standoffs



## Installation Instruction & Size Details



### SA . Aluminum Series

Finish : ST, CP, BK

Item No.	Diameter	Cap Thickness	Spacer	Screw Pole Size	Bottom Hole Size	Max Panel Thickness
SA-1616	16mm	4.5mm	16mm	Dia. 10mm L12mm	5mm	6mm
SA-1625	16mm	4.5mm	25mm	Dia. 10mm L21mm	5mm	12mm
SA-1640	16mm	4.5mm	40mm	Dia. 10mm L30mm	5mm	22mm
SA-1925	19mm	5mm	25mm	Dia. 12mm L19mm	5mm	10mm
SA-2525	25mm	5.5mm	25mm	Dia. 12mm L21mm	5mm	12mm
SA-2540	25mm	5.5mm	40mm	Dia. 12mm L30mm	5mm	22mm
SA-3225	32mm	7mm	25mm	Dia. 12mm L20mm	5mm	12mm

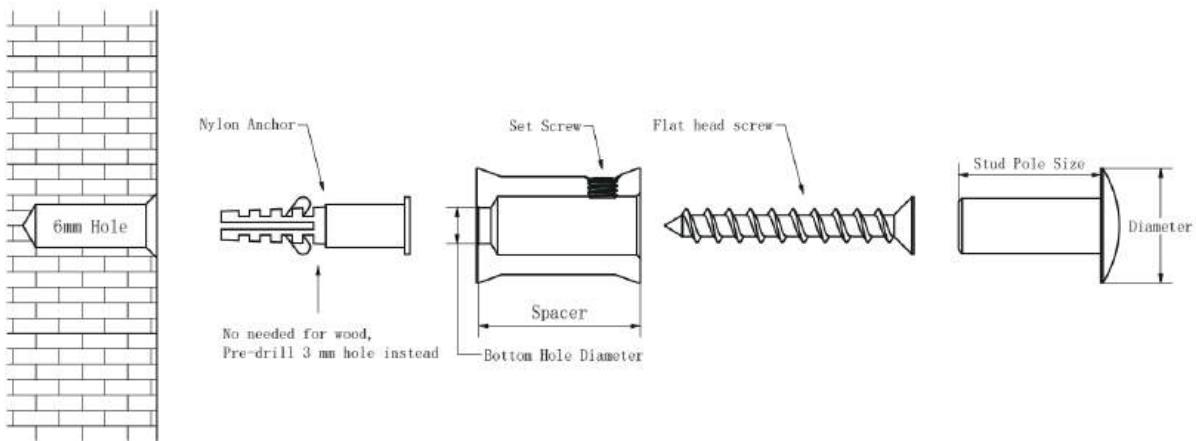


# CH Dome Top Seires



## Installation Instruction & Size Details

Materials : Brass      Finish : CP, SS, BG  
 Materials : Aluminium      Finish : ST, BK



Item No.	Diameter	Cap Thickness	Spacer	Screw Pole Size	Hex Screw	Bottom Hole Size	Max Panel Thickness
CH-1623	16mm	2.5mm	23mm	Dia.8mm x L20mm	M4	5mm	12mm
CH-2327	23mm	2mm	27mm	Dia.8mm x L24mm	M4	5mm	14mm

