

Wooden Sign Standoffs

PATENTED

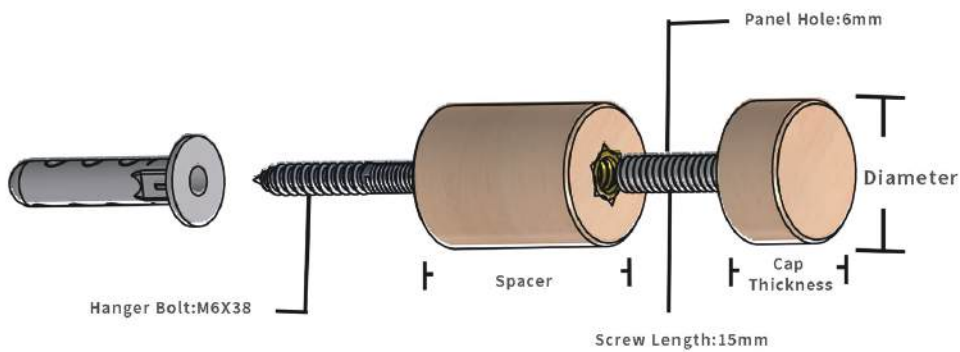


WD-1925



WD-2530

Installation Instruction & Size Details



Item No.	WD-1925	WD-2530
Diameter	19mm	25mm
Cap Thickness	12mm	12mm
Spacer	25mm	30mm
Screw Length	15mm	15mm
Hanger Bolt	M6 × 38	M6 × 38
Panel Hole	6mm	6mm
Panel Thickness	0-10mm	0-10mm
Max load(2Pcs)	4Kg	4Kg

